

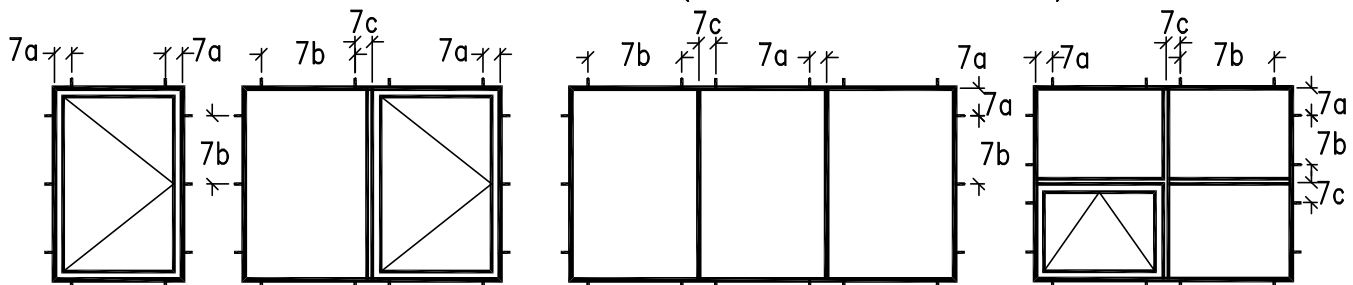
DUXTON WINDOW INSTALLATION INSTRUCTIONS 325 SERIES



A GOOD INSTALLATION ENSURES LASTING WINDOW PERFORMANCE.

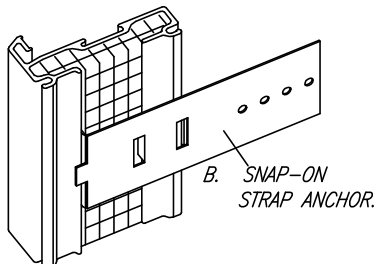
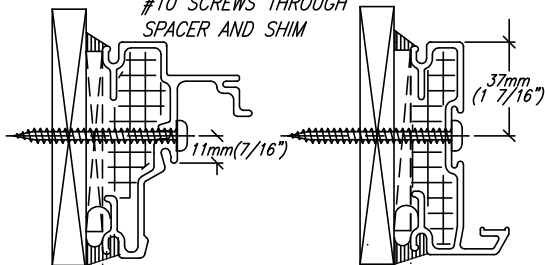
1. HANDLE CAREFULLY
2. STORE WITH NON-ABRASIVE SEPARATORS BETWEEN FRAMES. WINDOWS SHOULD BE STORED IN A PLACE PROTECTED FROM WEATHER.
3. ALTERATIONS – WINDOWS SHOULD NOT BE LOAD BEARING AFTER INSTALLATION. WINDOWS SHOULD NOT BE MODIFIED TO ACCOMMODATE AIR CONDITIONERS, EXHAUST FANS, ETC.
4. PERIMETER CAVITIES – BETWEEN WINDOW FRAMES AND ROUGH OPENING (R.O.) SHOULD BE FILLED WITH LOOSE INSULATION OR EXPANDING FOAM. DO NOT DISTORT FRAME BY OVER PACKING. NOTE THAT A WELL FILLED CAVITY IMPROVES THERMAL PERFORMANCE.
5. CAULKING OF EXTERIOR PERIMETER – SHOULD PROVIDE SEAL BETWEEN WALL AND WINDOW TO ENSURE CONTINUITY OF WEATHER TIGHTNESS. (AIR BARRIER)
6. CAULKING AND/OR TAPING OF INTERIOR PERIMETER – SHOULD PROMOTE CONTINUITY OF VAPOR BARRIER TO MINIMIZE RISK OF CONDENSATION WITHIN THE CAVITY.
7. ANCHORAGE – WINDOW FRAMES SHOULD BE SET PLUMB, SQUARE, SHIMMED AND SECURED TO SURROUNDING STRUCTURE. WINDOW ANCHORAGE MUST BE SUFFICIENT TO MEET STRUCTURAL REQUIREMENTS OF LOCAL BUILDING CODES. ALLOW ABOUT 6mm ($\pm 1/4$ ") SPACE BETWEEN THE FRAME AND ROUGH OPENING FOR SHIMMING AND ADJUSTMENT. ALWAYS ADJUST SHIMMING THICKNESS TO MAINTAIN STRAIGHT AND PARALLEL LINES BETWEEN SASH AND FRAME. ENSURE ADEQUATE AND LEVEL SUPPORT OF THE SILL.
- 7a. CORNER ANCHORS – SECURE APPROXIMATELY 100mm (4") FROM THE CORNERS.
- 7b. PERIMETER ANCHORS – SPACING SHOULD NOT EXCEED 600mm (24") ON CENTER.
- 7c. MULLION AND TRANSOM ANCHORS – ALWAYS ANCHOR WITHIN 100mm (4") FROM MULLION OR TRANSOM (IT IS ALWAYS A CRITICAL AREA FOR ANCHORAGE).
8. MAINTAIN WINDOWS BY OCCASIONAL WASHING OF GLASS AND FRAME WITH A NON-ABRASIVE DETERGENT.

RECOMMENDED ANCHOR LOCATIONS (SCREW OR STRAP ANCHOR)



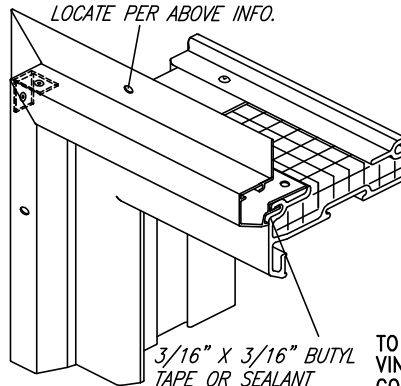
METHODS OF ANCHORAGE:

A. ANCHOR WITH #10 SCREWS THROUGH SPACER AND SHIM

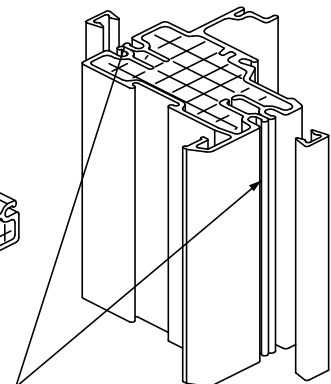


B. SNAP-ON STRAP ANCHOR.

C. BRICK MOULD
DRILL 6mm (1/4") ANCHOR HOLES
LOCATE PER ABOVE INFO.



TO APPLY NAIL FIN:
ADD CORNER ANGLES
ADD PERIMETER SEAL. SEAL CORNERS AND ATTACH WITH FASTENERS 600mm (24") ON CENTER.



TO CONNECT FRAMES ON JOB SITE USING VINYL COUPLER. CAULK GROOVES WITH GOOD QUALITY CAULK. TAP COUPLER INTO GROOVES. CLEAN EXCESS CAULKING.

DATE: JAN / 00
325INST